



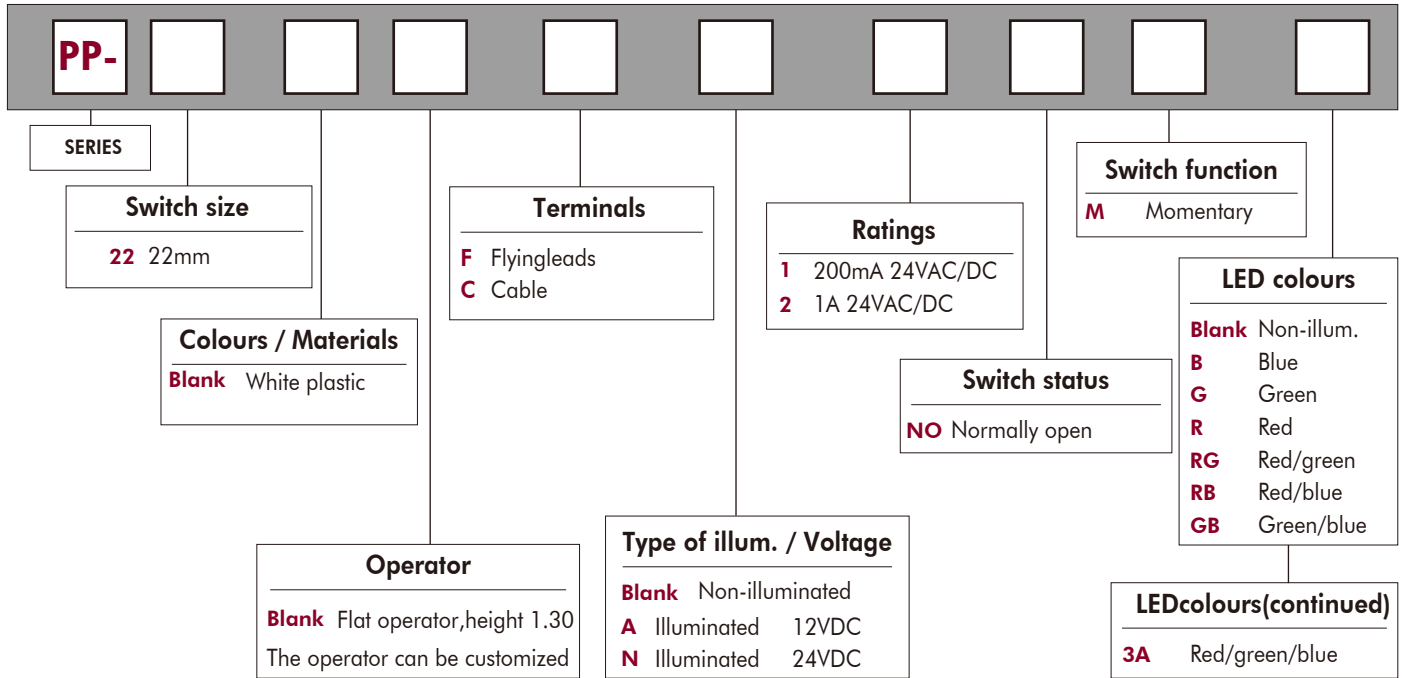
**langir**<sup>®</sup>  
**Piezo switch**  
[www.langir.com](http://www.langir.com)



**Leaders in Engineering, Innovation and Quality**  
**LANGIR brings Piezo Technology to perfection**

[www.langir.com](http://www.langir.com)

# Plastic piezo switch Ø 22(.866)

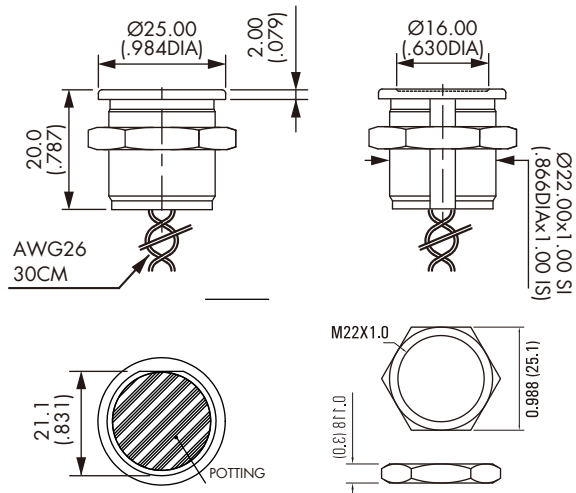


PIEZO SWITCH

Plastic piezo switches offering rugged, sealed tamper and vandal proof solid state switching. Exceptional durability and reliability. Fitted with red, green and blue LED's for illumination.

- 25mm diameter actuator
- 22.2mm diameter mounting hole
- Normally open, momentary action
- Make impulse time of 125-300 msec
- Recessed face
- Wire termination
- IP68 Sealed
- Available in 12V and 24V LED's

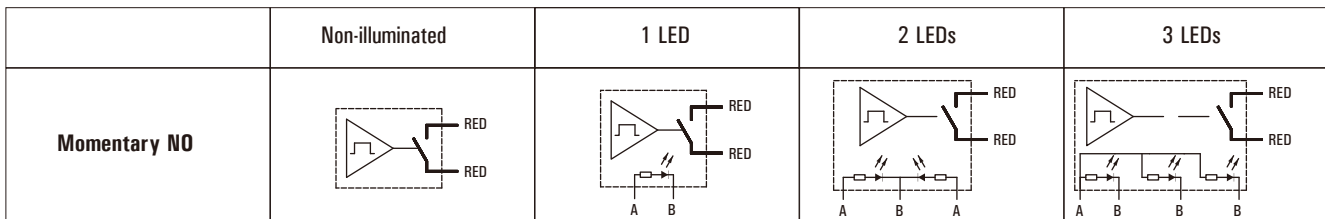
## DIMENSION



## SPECIFICATIONS

Operating voltage:	1-24V AC/DC	
Switching current	0.2A(standard) / 1A options	
Actuation force	3-5N	
Operating temperature	-20°C to +70°C	
LED operating voltage	12V DC max OR 24V DC max	
LED max current consumption:	(12V)	(24V)
Red	18mA	18mA
Green	9mA	9mA
Blue	27mA	16mA
Ingress Protection	IP68	
Life time	50 million operations	
Material	POM	

## Wiring diagrams



Legend: B = black, A = same colour as LED

\* LED colour is indicated by the bottom of the product.

© Copyright Langir Electric All Right Reserved.

Disclaimer: The appearance of the products listed on this catalogue, color, parameters are for reference only, issued a kind of Langir Electric Company shall prevail.

Langir Electric Company reserves the right to modify or cancel the relevant parameters of this catalogue does not advance notice. If in doubt, please contact your sales representative.



**YUEQING LANGIR ELECTRIC CO., LTD.**

ADD: 4F, NO. 188 LIUQING NORTH RD, LIUSHI, YUEQING, ZHEJIANG, CHINA 325604

FAX: 86 (577) 62737671

TEL: 86 (577) 62737672 62737670

MAIL: langir@langir.com

Http://www.langir.com